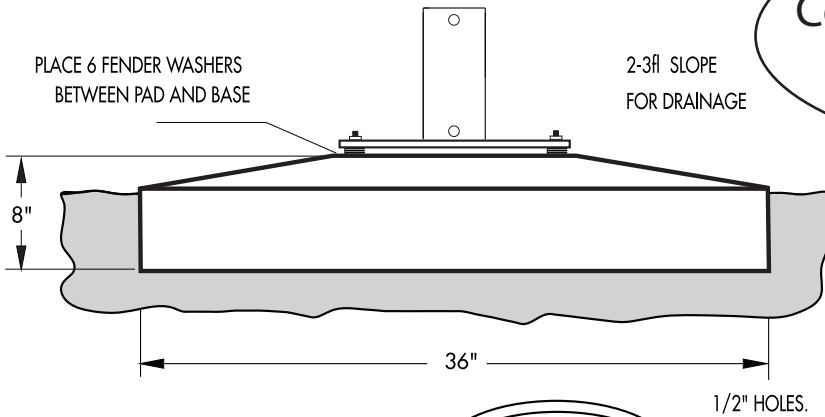


# Rain Master Weather Center II Detail



Compatible with Rain Master Evolution DX2 Controller

MOUNT BASE TO CONCRETE PAD USING 3/8-16X4" EYEBOLTS, WASHERS, AND NUTS PROVIDED. SEE DIMENSIONS BELOW FOR BOLT LOCATIONS.

