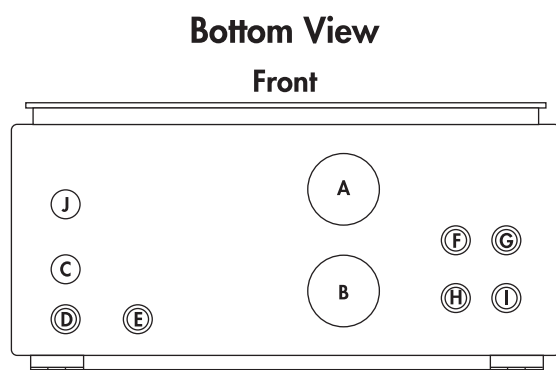
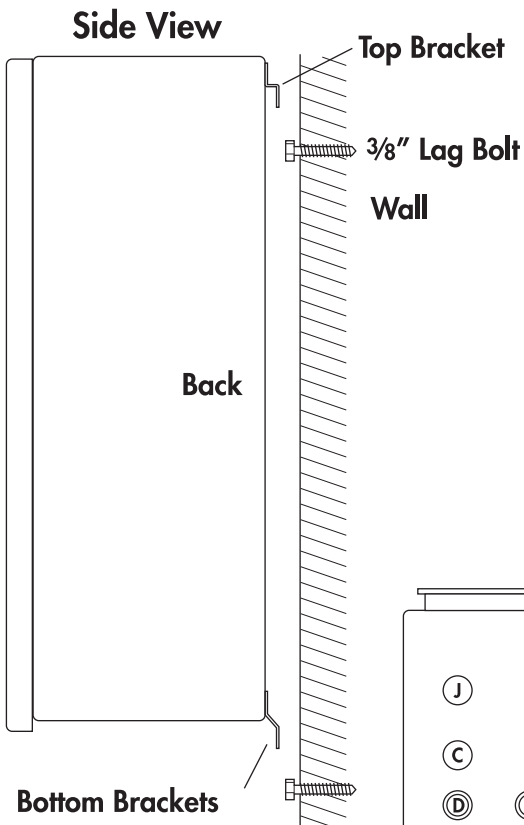
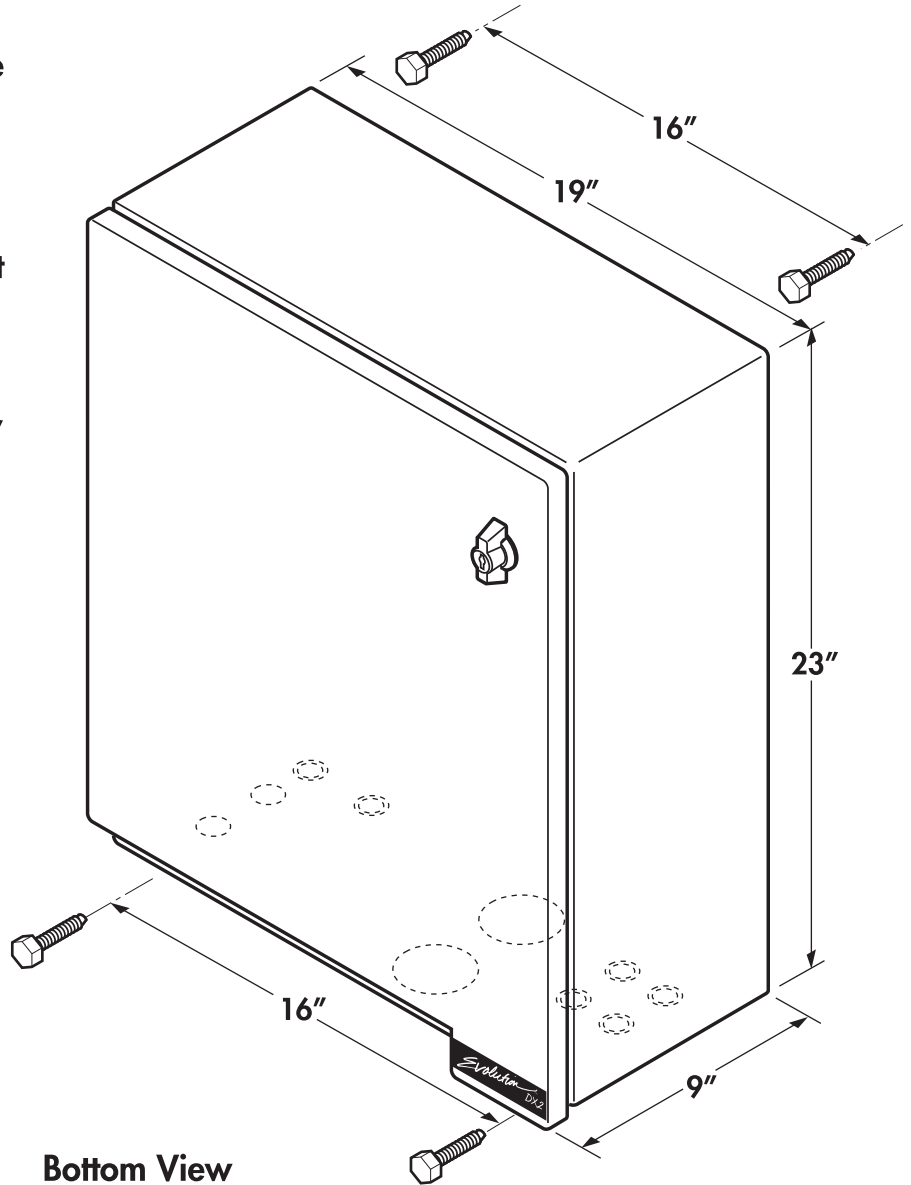


# Vandal-Resistant Stainless Steel Rain Master Evolution DX2 Wall-Mount Installation

1. Position the controller so that the front panel display appears slightly above eye level.
2. For the top bracket, attach  $\frac{3}{8}$ " lag bolts to wall on 16" center. Leave a  $\frac{1}{8}$ " gap between lag bolt head and wall.
3. Hang enclosure on lag bolts.
4. Drill and mount the two lower  $\frac{3}{8}$ " lag bolts using the bottom brackets as a guide.



Knockouts		
Item	Accommodates	Description
A, B	2" conduit	Station Wires
C	1/2" conduit	Incoming AC
D	1/2" or 3/4" conduit	Hardwire Comm or Ext. Antenna
E	1/2" or 3/4" conduit	Hardwire Communications
F, G, H, I	1/2" or 3/4" conduit	Sensor Wiring
J		Reserved