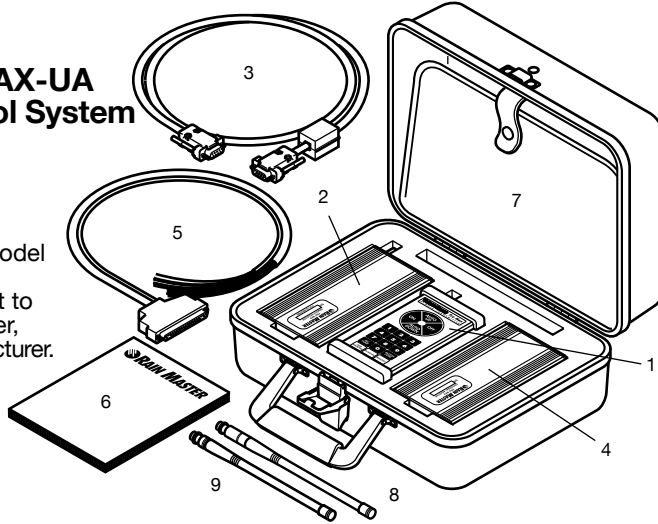


Pro Max

Setting the New Standard in Remote Technology

Model PRO MAX-UA Remote Control System (universal)

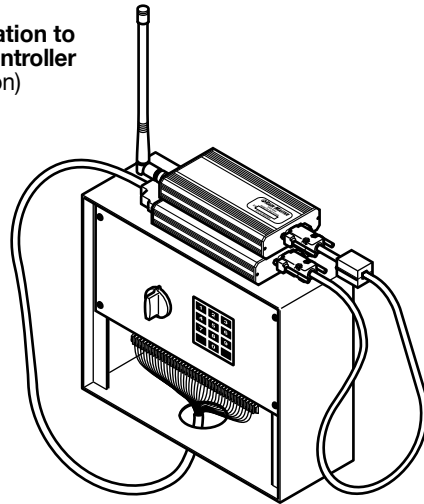
The PRO MAX-UA Universal Adapter model offers the additional capability to connect to virtually any controller, regardless of manufacturer.



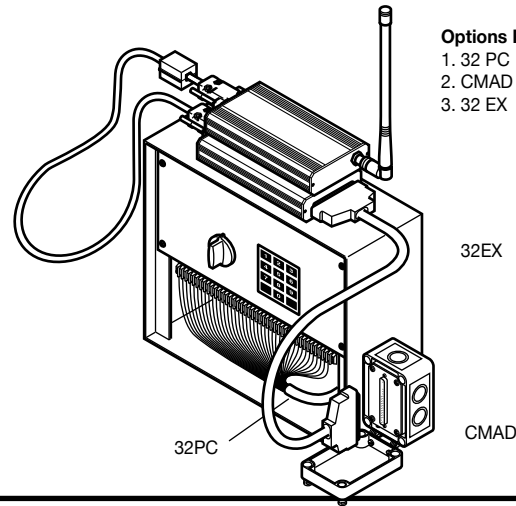
PRO MAX-UA Parts List

Part No.	Ref.	Description
PM-XMTR	1	Remote Radio Transmitter
PM-RCVR	2	Remote Receiver
PM-SER99	3	36" Remote Cable
PM-UADAPT	4	Universal Adapter
32PC	5	30" Permanent Connector
500055	6	Pro Max User Manual
PM-CASE	7	Remote Carrying Case
PM-XMTR-ANT	8	Antenna, BNC
PM-RCVR-ANT	9	Antenna, Hinged, BNC

PRO MAX-UA Installation to a non-Rain Master controller (Standard Configuration)



PRO MAX-UA Permanent connection (Optional Configuration)



Options Required:

- 1. 32 PC
- 2. CMAD
- 3. 32 EX

PRO MAX Receiver

Operating Frequency.....154.600 MHz
Sensitivity.....0.4 microvolt typical
Power Source.....22-32 volts AC 50/60 Hz
Operating Temperature Range.....0 to 60 degrees Celsius
Storage Temperature Range.....-20 to 70 degrees Celsius
Humidity Range.....0 to 90% non-condensing
Dimensions*.....6 1/4" L x 3 1/4" W x 1 1/16" H
Weight.....11 oz.

PRO MAX Universal Adapter

Power Source.....22-32 volts AC 50/60 Hz
Operating Temperature Range.....0 to 60 degrees Celsius
Storage Temperature Range.....-20 to 70 degrees Celsius
Humidity Range.....0 to 90% non-condensing
Output Capability.....1 amp/station, 1.5 amp total
Dimensions*.....6 1/4" L x 3 1/4" W x 1 1/16" H
Weight.....13 oz.

*Connectors not included

PRO MAX Transmitter

Operating Frequency.....154.600 MHz
Modulation Type.....Frequency Modulation
Frequency Stability......005%
Power Output.....1 watt nominal
Operating Temperature Range.....0 to 60 degrees Celsius
Storage Temperature Range.....-20 to 70 degrees Celsius
Humidity Range.....0 to 90% non-condensing
Battery.....1 season (typical)
Battery Life Expectancy.....1 season (typical)
Dimensions.....3" L x 1 3/8" W x 5 1/2" H (less antenna)
Weight.....12 oz.



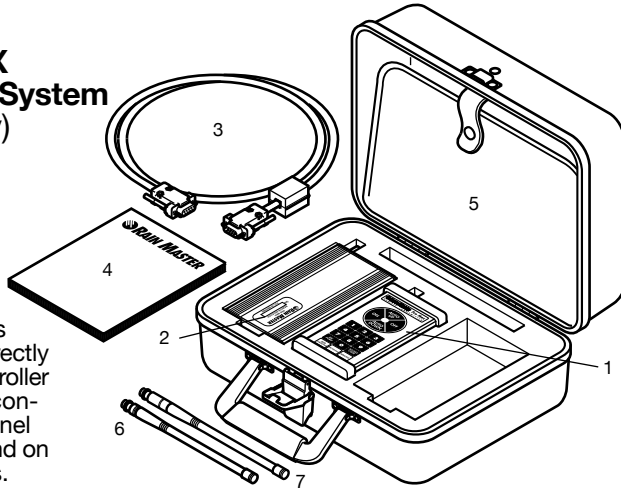
5825 Jasmine Street
Riverside, CA 92504

Ph: 800/634-TURF(8866) Fax: 800/862-8676

Pro Max

Setting the New Standard in Remote Technology

Model PRO MAX Remote Control System (Rain Master only)

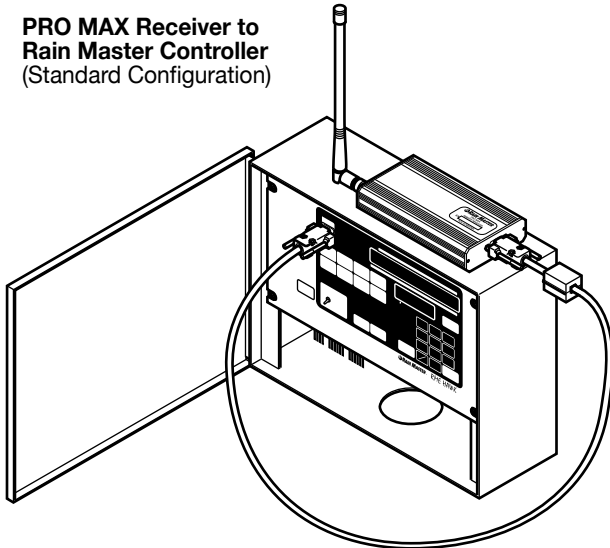


The PRO MAX model is designed to connect directly to any Rain Master controller by plugging the 9-pin connector into the front panel remote control jack found on Rain Master controllers.

PRO MAX Parts List

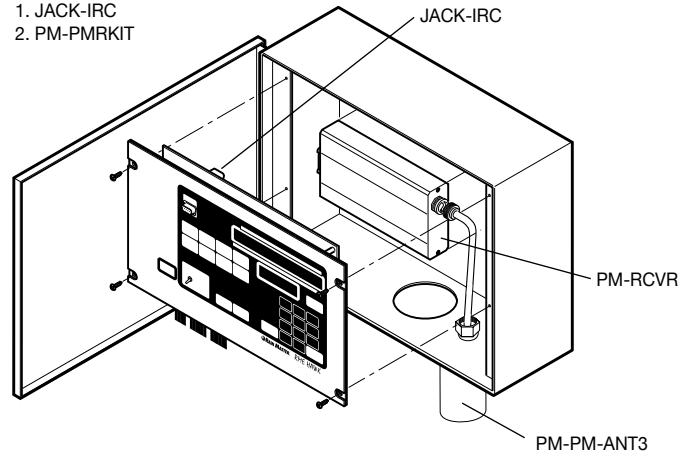
Part No.	Ref.	Description
PM-XMTR	1	Remote Radio Transmitter
PM-RCVR	2	Remote Receiver
PM-SER99	3	36" Remote Cable
500055	4	Pro Max User's Manual
PM-CASE	5	Remote Carrying Case
PM-XMTR-ANT	6	Antenna, BNC
PM-RCVR-ANT	7	Antenna, Hinged, BNC

PRO MAX Receiver to Rain Master Controller (Standard Configuration)



Permanent Mount PRO MAX Receiver (Optional Configuration)

Options Required:
1. JACK-IRC
2. PM-PMRKIT



PRO MAX Receiver

Operating Frequency..... 154.600 MHz
Sensitivity..... 0.4 microvolt typical
Power Source..... 22-32 volts AC 50/60 Hz
Operating Temperature Range..... 0 to 60 degrees Celsius
Storage Temperature Range..... -20 to 70 degrees Celsius
Humidity Range..... 0 to 90% non-condensing
Dimensions*..... 6 1/4" L x 3 1/4" W x 1 1/16" H
Weight..... 11 oz.

PRO MAX Transmitter

Operating Frequency..... 154.600 MHz
Modulation Type..... Frequency Modulation
Frequency Stability..... .005%
Power Output..... 1 watt nominal
Operating Temperature Range..... 0 to 60 degrees Celsius
Storage Temperature Range..... -20 to 70 degrees Celsius
Humidity Range..... 0 to 90% non-condensing
Battery..... CR-P2 lithium 6V (user replaceable)
Battery Life Expectancy..... 1 season (typical)
Dimensions..... 3" L x 1 3/8" W x 5 1/2" H (less antenna)
Weight..... 12 oz.

*Connectors not included

Irritrol®

5825 Jasmine Street
Riverside, CA 92504

Ph: 800/634-TURF(8866) Fax: 800/862-8676