

# Permanent Mount Pro Max Receiver

Requires:

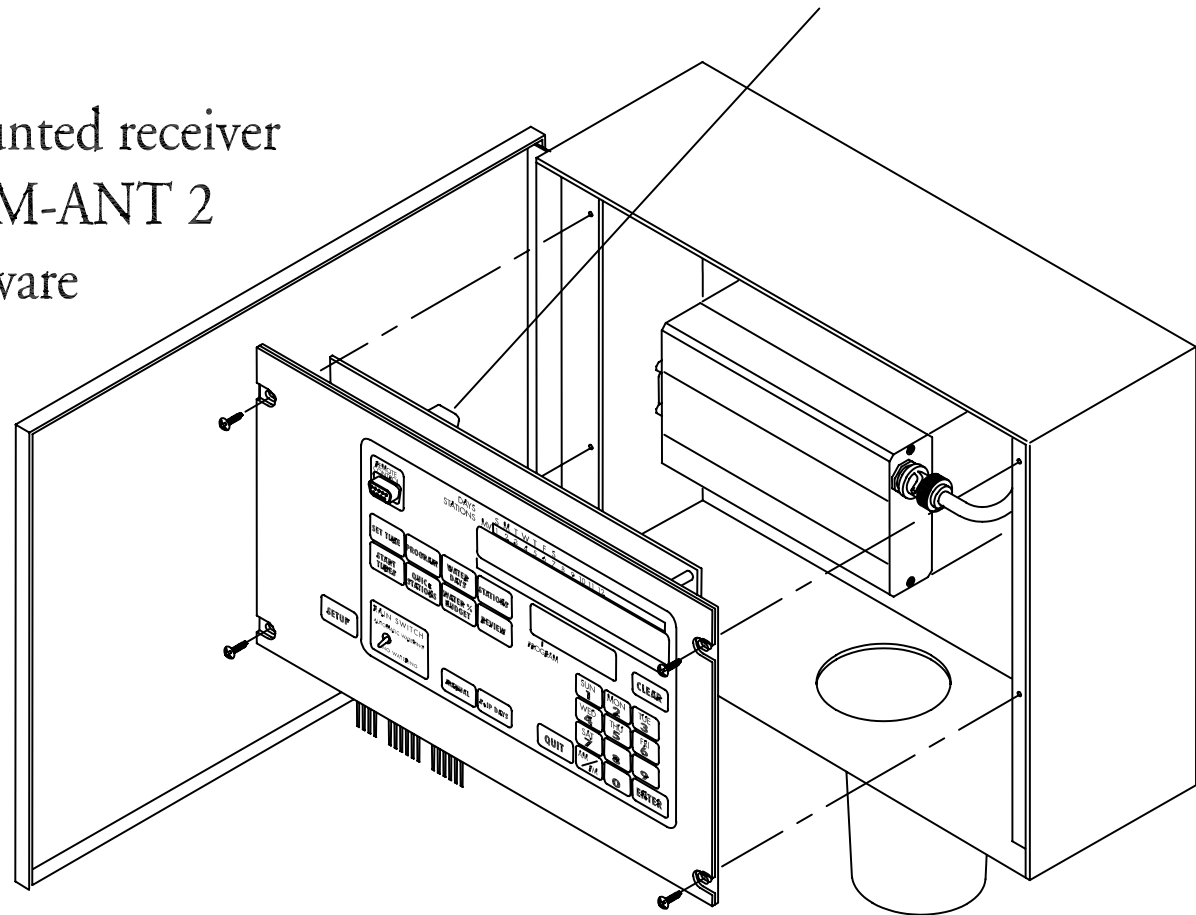
## 1. JACK-IRC

- Factory installed permanent interface

**JACK-IRC**

## 2. PM-PMRKIT

- Permanent mounted receiver
- Antenna PM-PM-ANT 2
- All cables/hardware



**PM-PM-ANT 2**