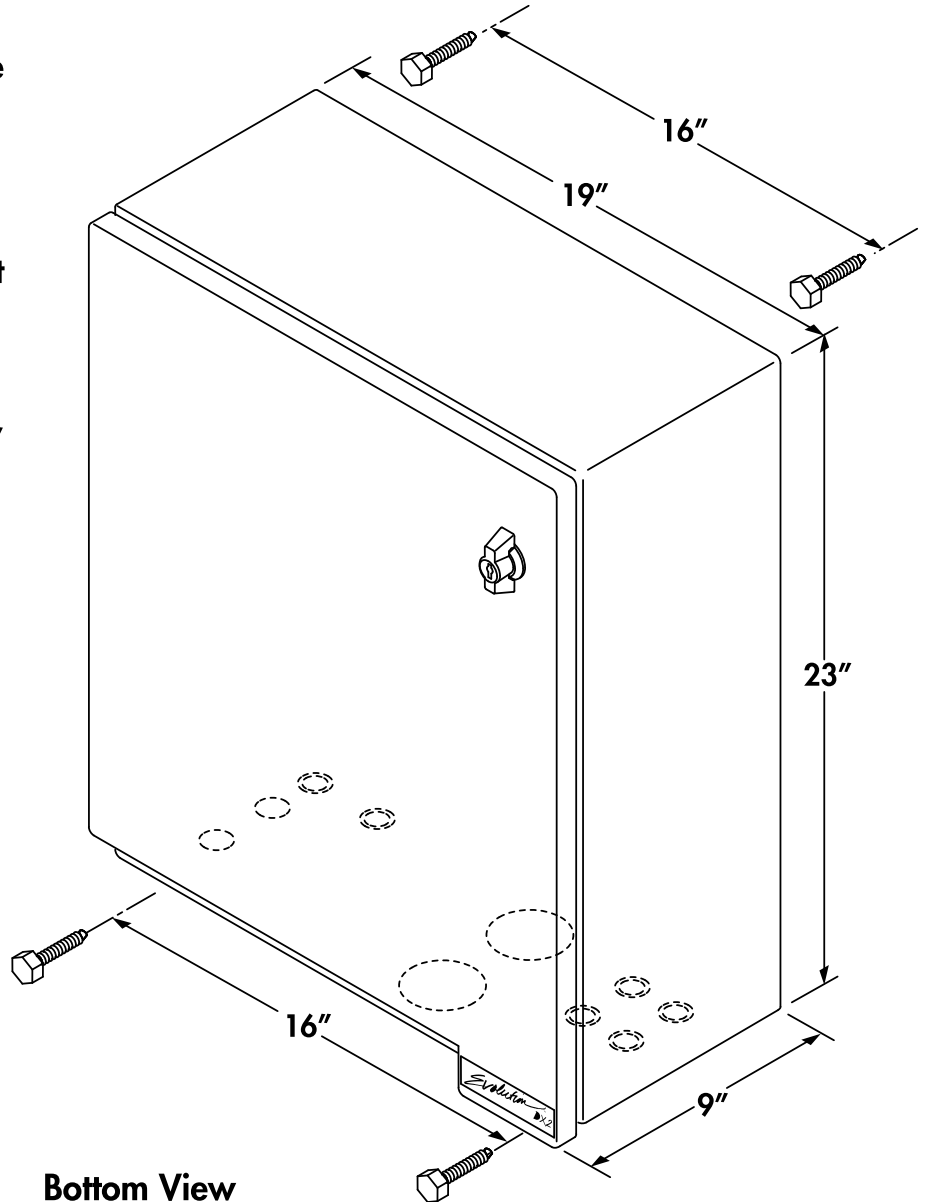
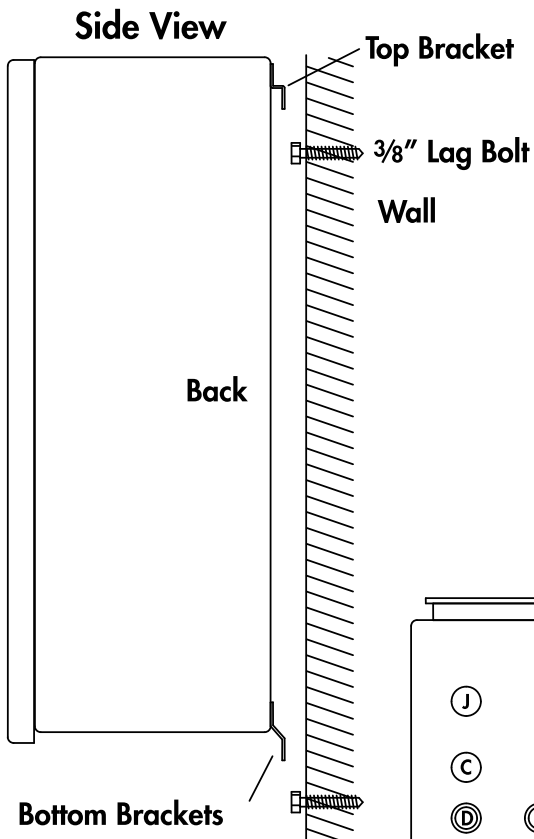
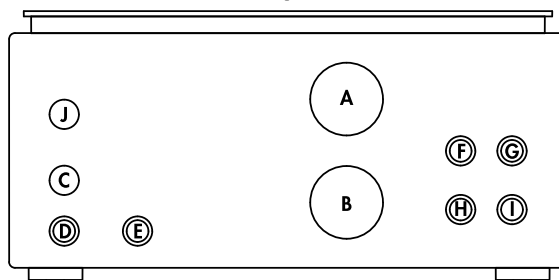


Vandal-Resistant Stainless Steel Evolution DX2 Wall-Mount Installation

1. Position the controller so that the front panel display appears slightly above eye level.
2. For the top bracket, attach $\frac{3}{8}$ " lag bolts to wall on 16" center. Leave a $\frac{1}{8}$ " gap between lag bolt head and wall.
3. Hang enclosure on lag bolts.
4. Drill and mount the two lower $\frac{3}{8}$ " lag bolts using the bottom brackets as a guide.



Bottom View
Front



Knockouts		
Item	Accommodates	Description
A, B	2" conduit	Station Wires
C	$\frac{1}{2}$ " conduit	Incoming AC
D	$\frac{1}{2}$ " or $\frac{3}{4}$ " conduit	Hardwire Comm or Ext. Antenna
E	$\frac{1}{2}$ " or $\frac{3}{4}$ " conduit	Hardwire Communications
F, G, H, I	$\frac{1}{2}$ " or $\frac{3}{4}$ " conduit	Sensor Wiring
J		Reserved

RMS Part No.500503 Rev. A

Rain Master is a technology-based, innovative, environmentally sensitive company dedicated to providing water management solutions to the irrigation industry.



3910-B Royal Avenue,
Simi Valley, CA 93063
Ph: 805 527-4498 Fax: 805 527-2813