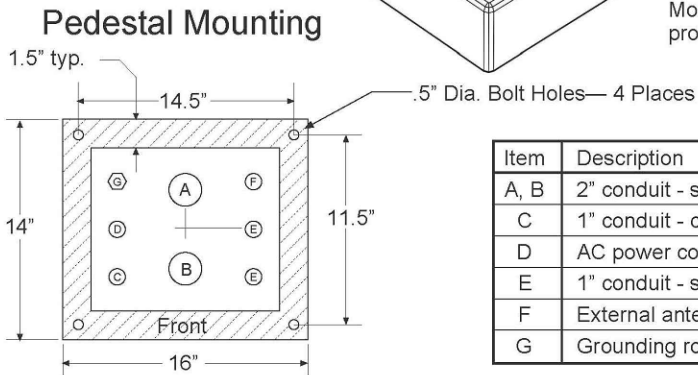
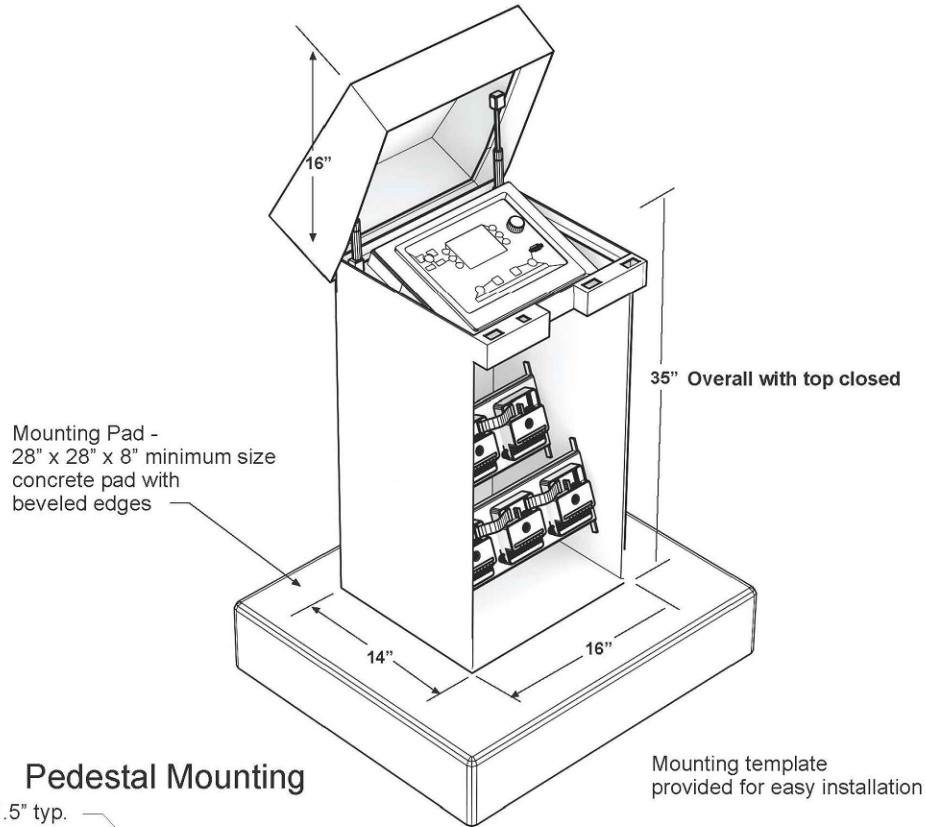


DX3 SPED Stainless Steel Pedestal Installation



Item	Description
A, B	2" conduit - station wiring
C	1" conduit - communication
D	AC power conduit
E	1" conduit - sensor wiring
F	External antenna
G	Grounding rod

Bolt and Conduit Layout

RMIS Part No. 500501 Rev. C

RAIN MASTER 5825 Jasmine Street
 Riverside, CA 92504
 800-777-1477
 CONTROL SYSTEMS rm.info@toro.com